

# CZ46241 END CAP INSTALLATION INSTRUCTIONS

1. Align the hooks and tabs on the back of the endcap with the slots on the post and the slots on the top of the footbar as indicated in **FIG.1**

Please Note: The endcap is heavy and two persons are recommended for this operation.

2. Drop the endcap in place. The top of the endcap should be flush with the top of the post as indicated in **FIG.2**

3. Repeat for the other end.

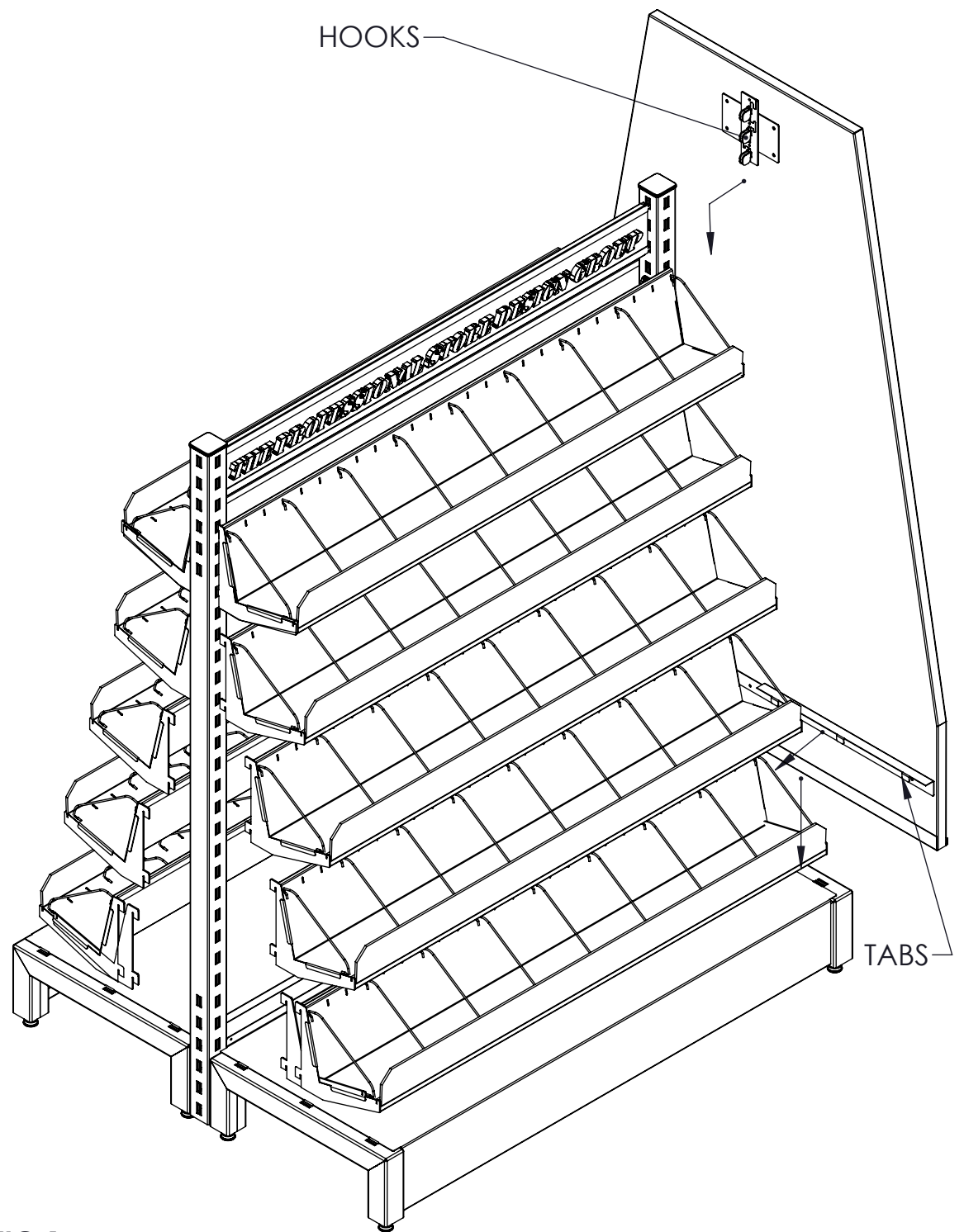


FIG.1

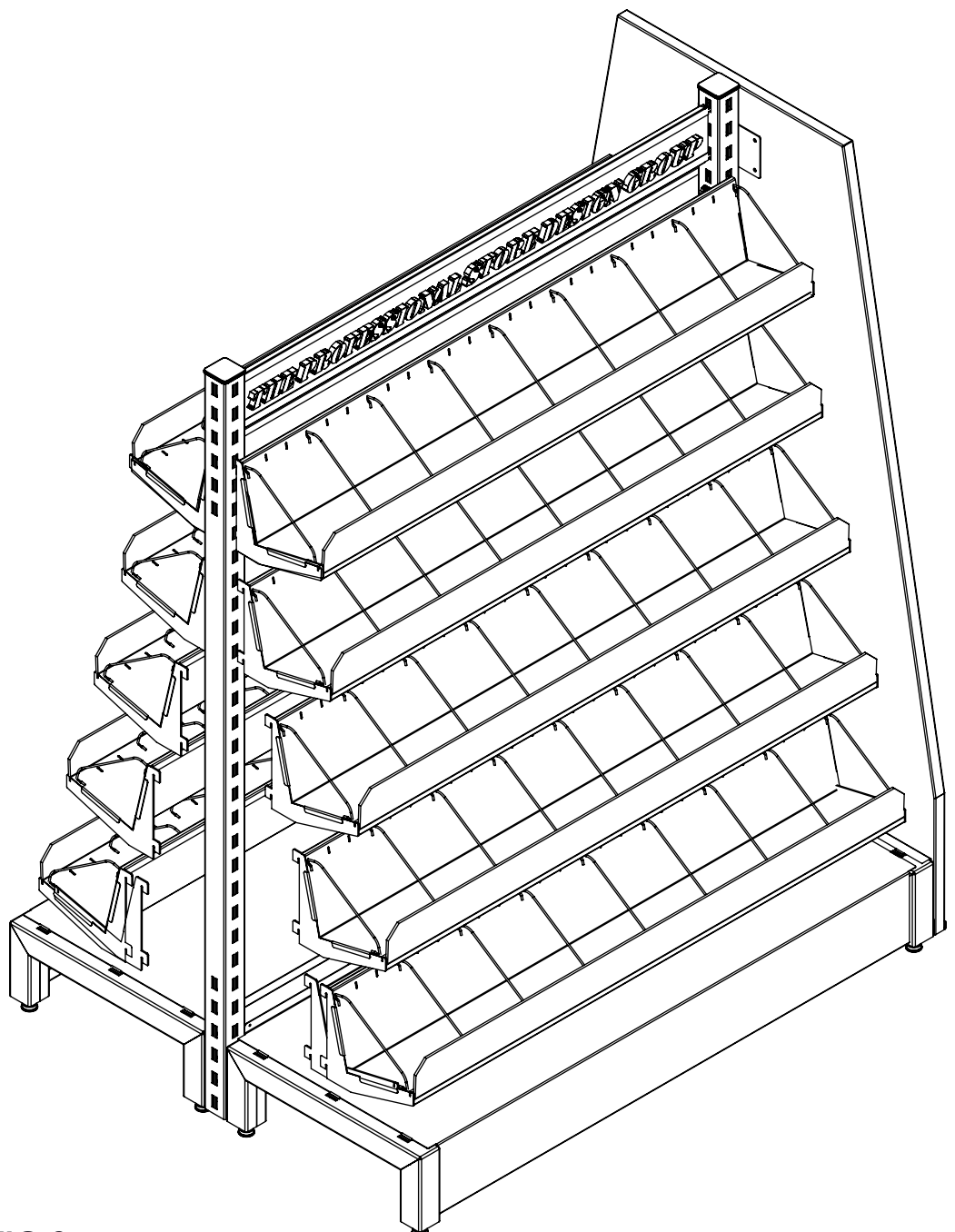


FIG.2